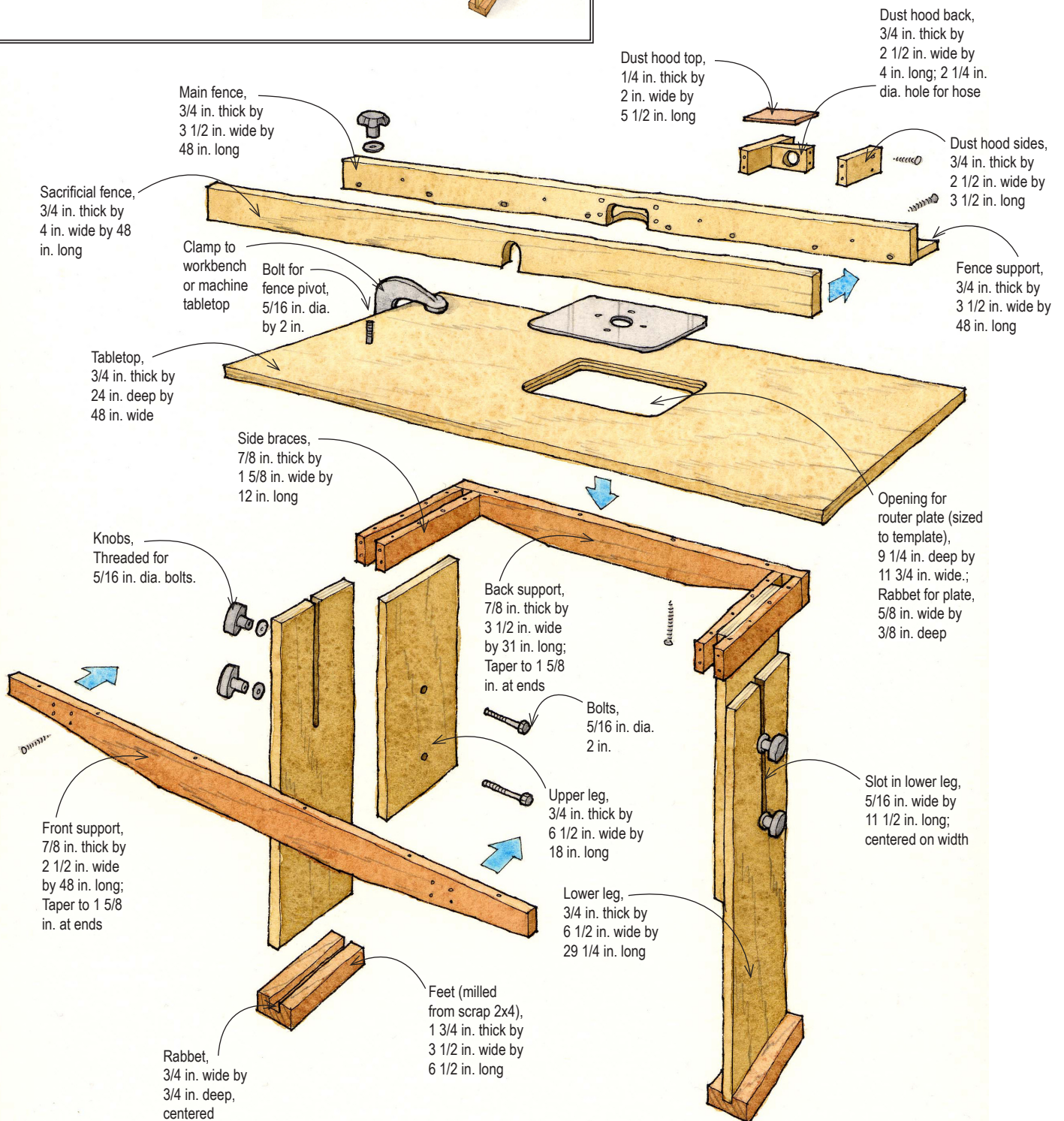
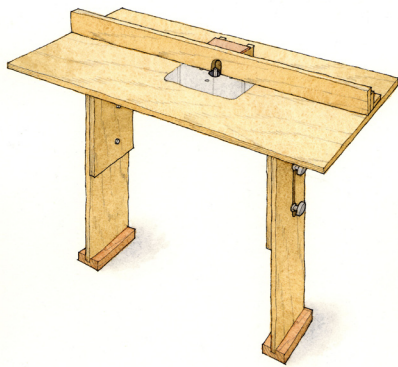
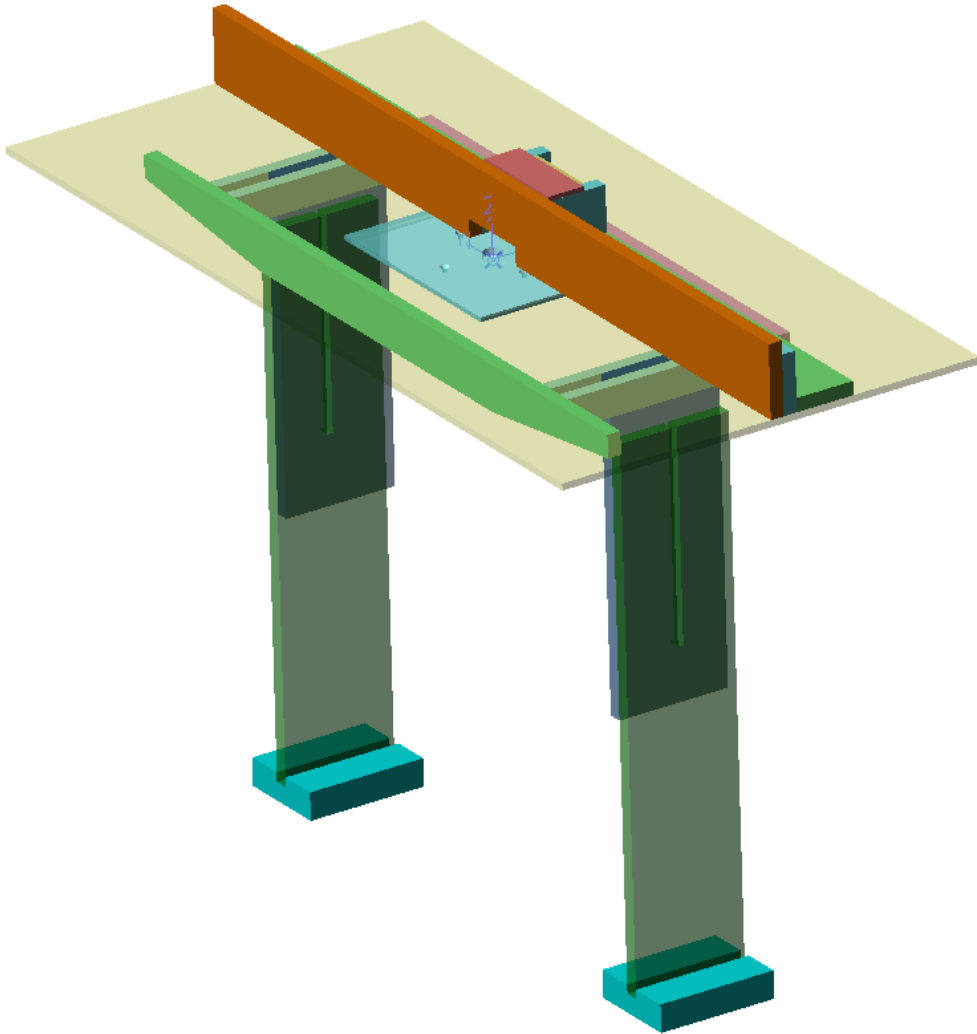


# Stow-and-Go Router Table



# Router Table



Part 1 – Sacrificial Fence –  $\frac{3}{4}$ " x 4" x 48"

Part 2 – Main Fence –  $\frac{3}{4}$ " x 3  $\frac{1}{2}$ " x 48"

Part 3 – Fence Support –  $\frac{3}{4}$ " x 2  $\frac{1}{2}$ " x 48"

Part 4 – Dust Hood Back –  $\frac{3}{4}$ " x 3  $\frac{1}{2}$ " x 4"  
2  $\frac{1}{4}$ " dia. hole

Part 5 – Dust Hood #1 –  $\frac{3}{4}$ " x 2  $\frac{1}{2}$ " x 3  $\frac{1}{2}$ "

Part 6 – Dust Hood #2 –  $\frac{3}{4}$ " x 2  $\frac{1}{2}$ " x 3  $\frac{1}{2}$ "

Part 7 – Dust Hood Top –  $\frac{1}{4}$ " x 2" x 5  $\frac{1}{2}$ "

Part 8 – Back Support –  $\frac{7}{8}$ " 3  $\frac{1}{2}$ " x 31"  
Taper to 1  $\frac{5}{8}$ " at ends

Part 9 – Side Brace #1 –  $\frac{7}{8}$ " x 1  $\frac{5}{8}$ " x 12"

Part 10 – Upper Leg #1 –  $\frac{3}{4}$ " x 6  $\frac{1}{2}$ " x 18"

Part 11 – Lower Leg #1 –  $\frac{3}{4}$ " x 6  $\frac{1}{2}$ " x 29  $\frac{1}{4}$ "

Part 12 – Lower Leg #2 –  $\frac{3}{4}$ " x 6  $\frac{1}{2}$ " x 29  $\frac{1}{4}$ "

Part 13 – Upper Leg #2 –  $\frac{3}{4}$ " x 6  $\frac{1}{2}$ " x 18"

Part 14 – Side Brace #2 –  $\frac{7}{8}$ " x 1  $\frac{5}{8}$ " x 12"

Part 15 – Side Brace #3 –  $\frac{7}{8}$ " x 1  $\frac{5}{8}$ " x 12"

Part 16 – Front Support –  $\frac{7}{8}$ " x 2  $\frac{1}{2}$ " x 20"  
Taper to 1  $\frac{5}{8}$ " at ends

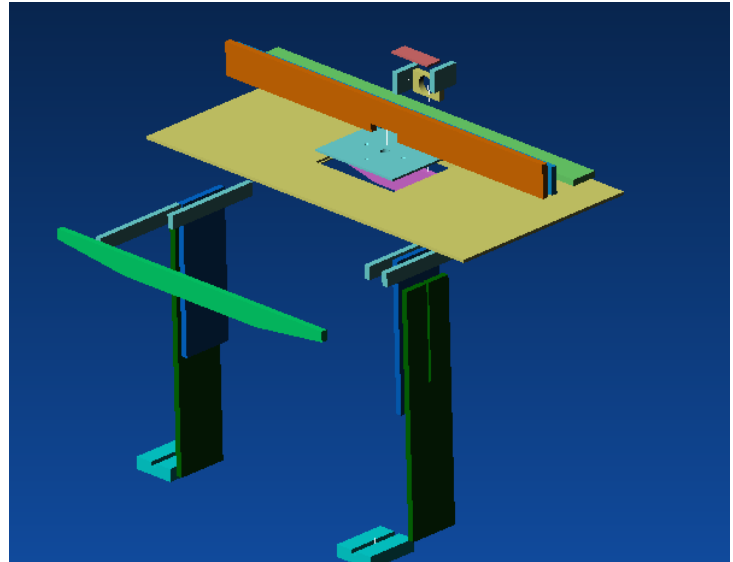
Part 17 – Foot #1 – 1  $\frac{3}{4}$ " x 3  $\frac{1}{2}$ " x 6  $\frac{1}{2}$ "  
Milled from scrap 2x4

Part 18 – Foot #2 – 1  $\frac{3}{4}$ " x 3  $\frac{1}{2}$ " x 6  $\frac{1}{2}$ "  
Milled from scrap 2x4

Part 19 – Side Brace #4 –  $\frac{7}{8}$ " x 1  $\frac{5}{8}$ " x 12"

Part 20 – Router Plate – 9  $\frac{1}{4}$ " x 11  $\frac{3}{4}$ "

Part 21 – Tabletop –  $\frac{3}{4}$ " x 24" x 48"  
Rabbet for plate –  $\frac{5}{8}$ " wide by  $\frac{3}{8}$ " deep



Explode

Implode

Reset